

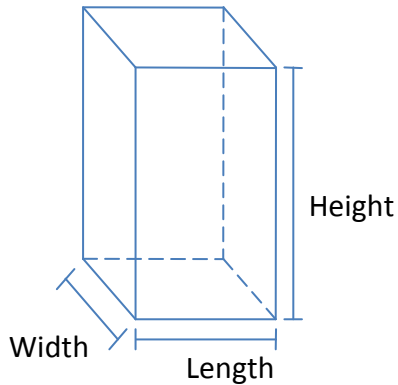


Pacific Earthquake Engineering Research

K-12 Outreach Program Volume Worksheet



How wide, long, and tall is your structure?



Length = _____ Inches

Width = _____ Inches

Height = _____ Inches

Now use your measurements you just found to calculate your building volume, you may use the empty space to show your work. To make it easier, try to imagine your structure in multiple pieces:

