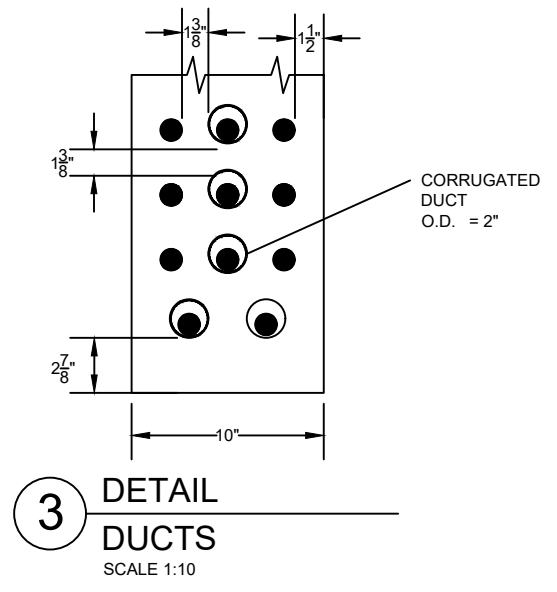
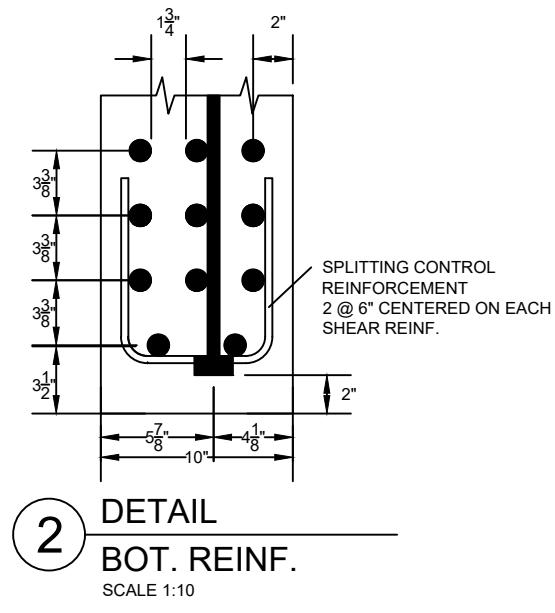
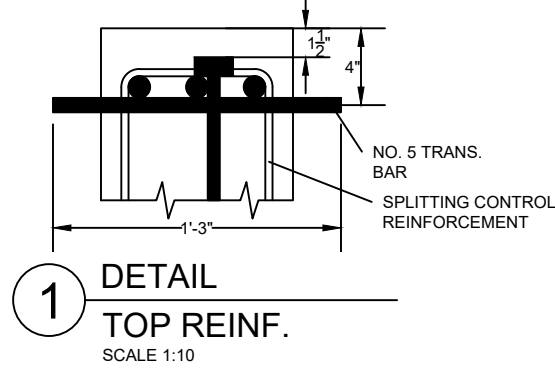
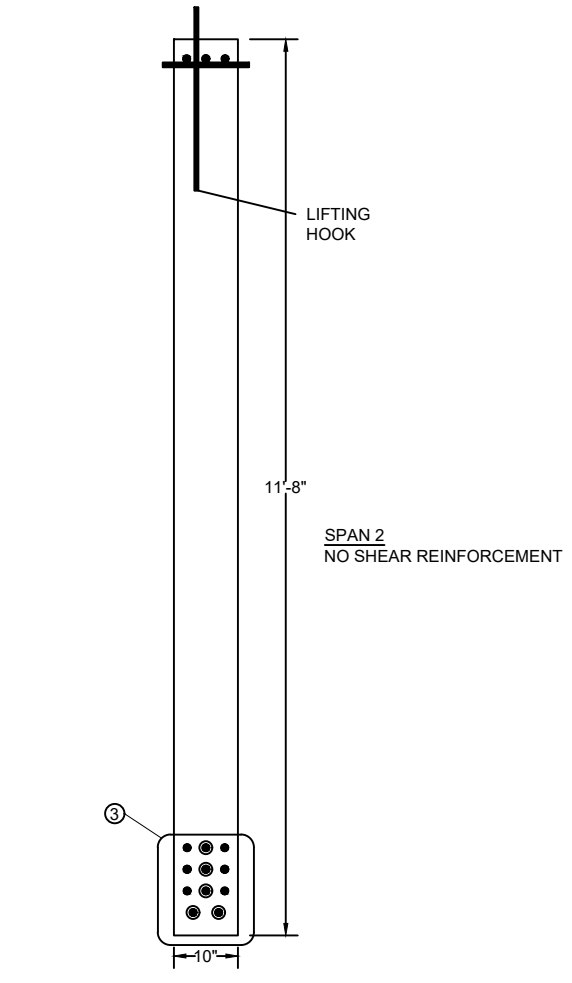
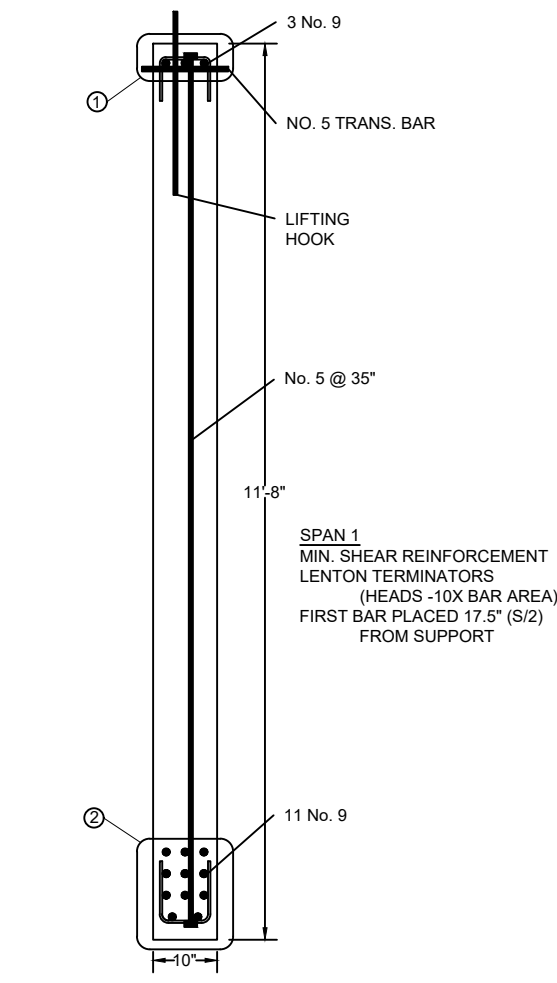


- CONCRETE PLACEMENT INSTRUCTIONS:**  
DO NOT PLACE TOP LONGITUDINAL REINFORCEMENT UNTIL END OF POUR
1. NO. 5 TRANSVERSE BAR RUNS THROUGH FRONT AND BACK OF FORMWORK
  2. USE TIE WIRE TO ATTACH NO. 5 SHEAR REINFORCEMENT BAR TO TRANSVERSE BAR
  3. POUR CONCRETE TO JUST BELOW TRANSVERSE BAR
  4. PLACE THREE TOP NO. 9 BARS AND TIE TO TRANSVERSE BARS
  5. COMPLETE CONCRETE POUR



- NOTES:**
1. CONCRETE
    - 1.1. F'C=5000 PSI
    - 1.2. 3/4 IN. MAXIMUM AGGREGATE SIZE
  2. REINFORCEMENT
    - 2.1. LONGITUDINAL - A1035 GRADE 120
    - 2.3.1. LENTON D16 THREADED TERMINATORS (4X NET BAR AREA)
    - 2.4. SHEAR - A615 GRADE 60
    - 2.3.1. LENTON THREADED TERMINATORS (10X BAR AREA)
  3. CORRUGATED GALVANIZED METAL DUCTS
    - 3.1. I.D.=1-7/8", O.D.=2"
  4. LIFTING HOOK SPECIFICATIONS TBD
  5. COUPLERS
    - 5.1. A32K HIGH STRENGTH LENTON COUPLER

PROJECT <b>SHEAR STRENGTH OF THICK FOUNDATION MATS</b>		DRAWN BY <b>JZ</b>	APPROVED	DRAWING NO.	
CONTENT <b>REINFORCEMENT DETAILS</b>		9/9/2021	SCALE N/A	<b>S- 001</b>	
FACILITY UNIVERSITY OF CALIFORNIA, BERKELEY STRUCTURAL TESTING LAB, DAVIS HALL		REV	DATE		DESCRIPTION